



FIRE CABINET



FIREGUARD GLOBAL LTD.

Tel: 00-44-8450751042 • Fax: 00-44-8459751043
Email: Info@Fireguard-Uk.com • www.fireguard-Uk.com

Unit 11 • Chancel Industrial Estate • Newhall Street
Willenhall • WV13 1NX • United Kingdom





FIRE CABINET



www.fireguard-Uk.com

Fireguard has wide range of cabinets manufactured with 1.2mm thickness Steel a Powder Coated.

Can be customized according to the architectural requirements.

- Cabinet can be customized fabricate up to 3mm thickness Mild Steel/Stainless Steel.
- Door sign according to 92/58/EEC 35mm Ø .
- Knockouts for inlet pipework both sides.
- Finish: Red powder coated, Stainless Steel/ Brush/Mirror/Satin finish upon request.

Customized Cabinets:

Fire Guard Cabinet specifications are customized according to the architectural requirements and as per as your request.

Standard Size:

- Single Cabinet - 80x80x30 cm
- Double Cabinet - 160x80x30 cm
- Double Cabinet Horizontal - 110x80x30 cm

OPTION

- A-Wired Glass door
- B-Stainless steel
- C-Mild steel
- R-Recessed



KM 705505



FGCS 05



FGCR 06



BREACHING INLET
Standard Size:
Surface & Semi Recessed
Single Cabinet 59.5 x 39.5 x 29.5 cm

EXTINGUISHER CABINET

Standard Size:
Surface & Semi Recessed
Cabinet 6KG Powder-60 x 28 x 18 cm
Cabinet 12KG Powder-70 x 30 x 22 cm
Cabinet 5KG Co2- 80 x 30 x 22 cm



FGCR 06 B/C



FGCS 05B



FGCD 03



FGCRD 03



FGCRD 03B/C



FGCD 03B



FGCS 09



FGCRD 10



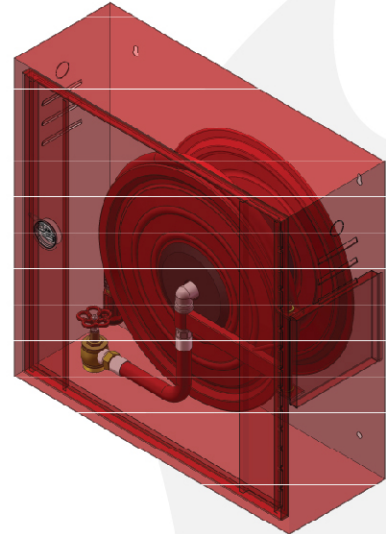
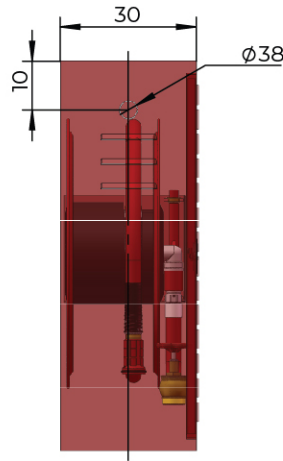
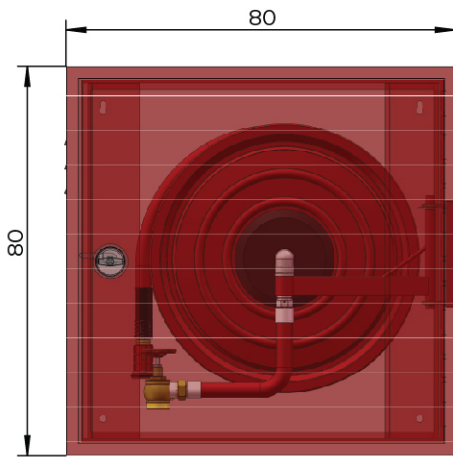
FGCRD 10B/C



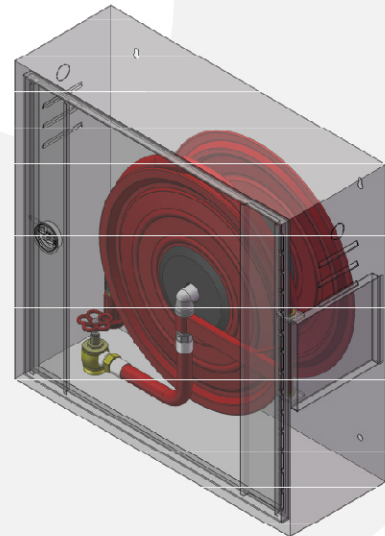
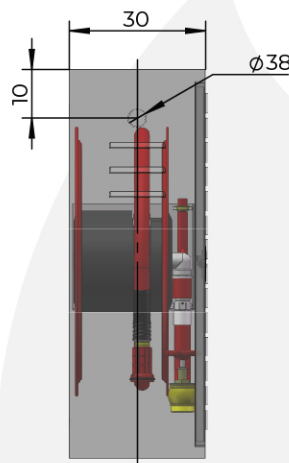
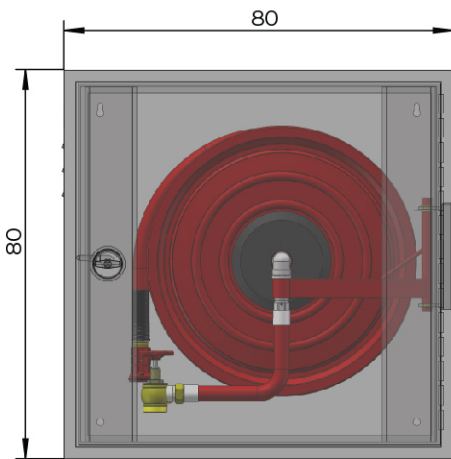
FGCD 09B

Surface Mounted Fire Hose Cabinet

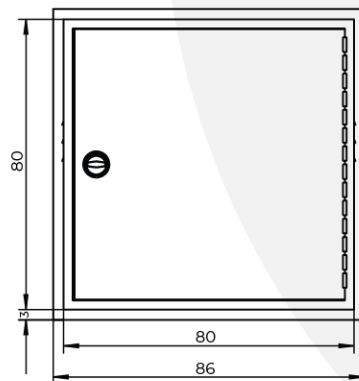
• Mild Steel Cabinet



• Stainless Steel Cabinet



Recessed Fire Hose Cabinet



Technology Requirement:

1. Red polyester powder coated finish.
2. Surface Colour: RAL3000
3. Full length piano hinges
4. 1.2mm thickness body&door
5. Stainless steel round lock
6. Size: 80x80x30 cm

7. Size For Recessed:

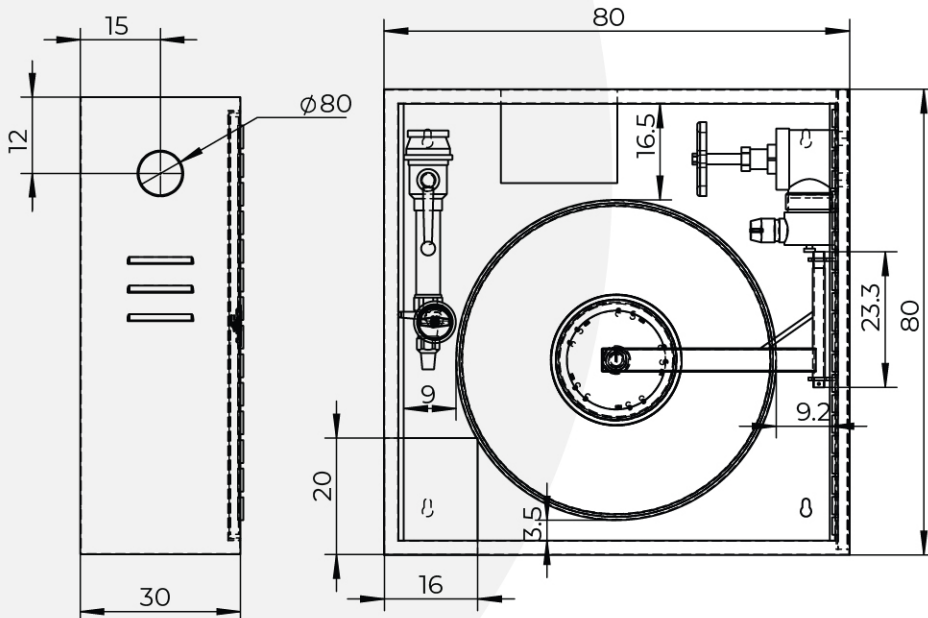
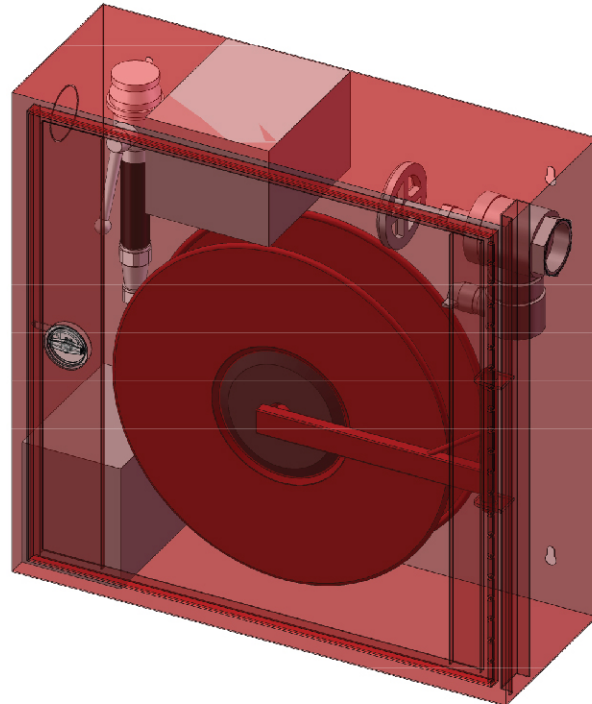
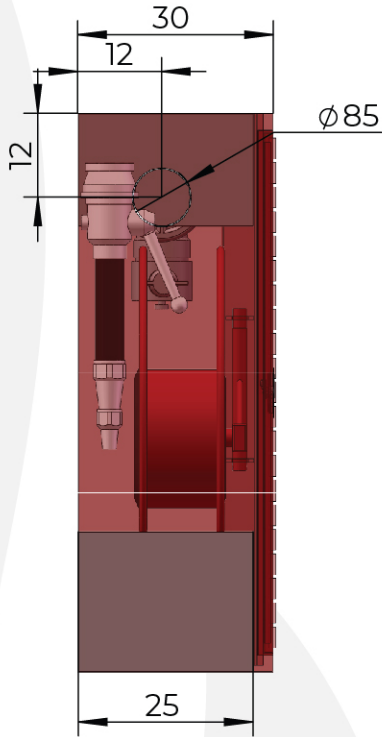
- Single Cabinet: 86x86x30 cm
- Double Cabinet: 166x86x30 cm

Option: Stainless Steel body&door 304

Size: customized as per as your request

Surface Mounted Fire 2.5" Hose Reel Cabinet

Option: Recessed Fire 2.5" Hose Reel Cabinet



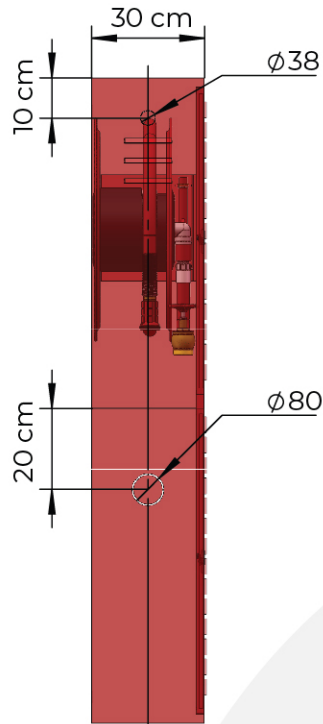
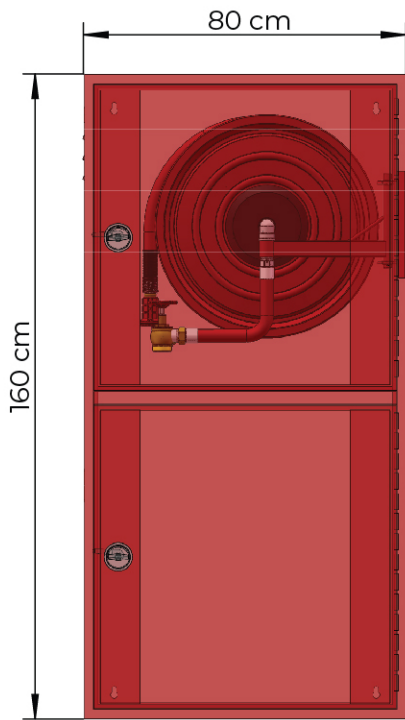
Technology Requirement:

1. Red polyester powder coated finish.
2. Surface Colour: RAL3000
3. Full length piano hinges
4. 1.2mm thickness body&door
5. Stainless steel round lock
6. Size: 80x80x30 cm
7. **Size For Recessed:** 86x86x30 cm

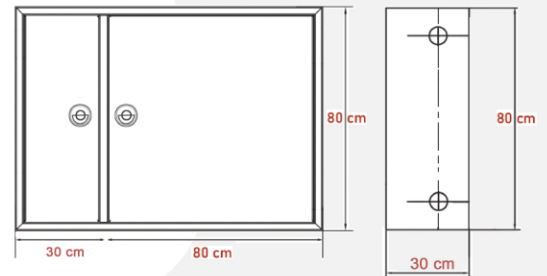
Option: Stainless Steel body&door 304

Size: customized as per as your request

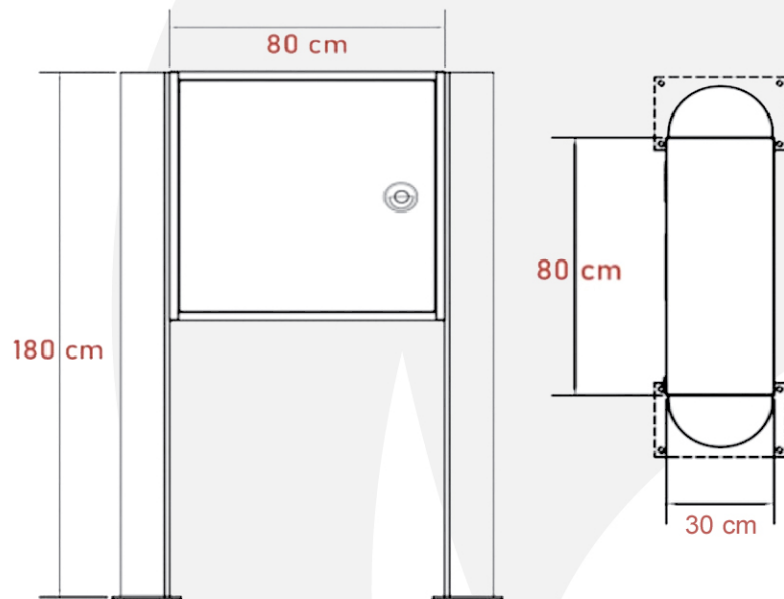
Fire Surface Mounted Double Vertical Cabinet



Option: Horizontal Cabinet



Ground Fixed Cabinet (Free Stand Cabinet)



Technology Requirement:

1. Red polyester powder coated finish.
2. Surface Colour: RAL3000
3. Full length piano hinges
4. 1.2mm mild steel body&door
5. Stainless steel round lock
6. Size for Vertical Double Cabinet: 160x80x30 cm
7. Size for Horizontal Double Cabinet: 110x80x30 cm
8. Size for Free Stand: 180x80x30 cm

Option: Stainless Steel body&door 304

Size: customized as per as your request

FIRE HOSE REEL LPCB Ref NO 1038Ba EN671 APPROVED

Model FGHR 2530M
Manual swinging type 1" x 30m

Model FGHR 2530A
Auto swinging type 1" x 30m

Technical Specification: Automatic or Manual

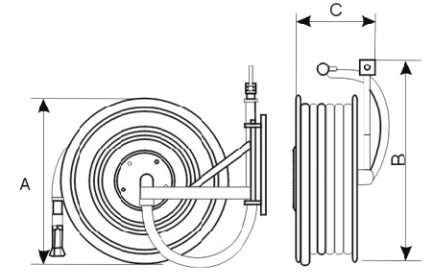
- Hose Reel Designed to BS EN 671- part 1-2001
- Discs are 1.2mm Pre treated Electra Galvanized steel sheet with Electrostatic powder coating.
- Maximum Swinging angle wall mounted is 180°
- Hose designed to BS EN 694 non kinking reinforced rubber.
- Hose Working Pressure 12 Bar
- Hose Burst Pressure 42 Bar
- Hose Test Pressure 18 Bar 48/55 52/62
- Can take 20/25/30m of 19mm or 25mm hose
- Easy to install, operate and service

OPTION

Stainless steel drum



OPTION NOZZLE

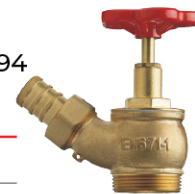


Manual Type 1" Hose Reel

| Model No. | Type | Hose Diameter & Length | Height (A in mm) | Width (B in mm) | Depth (C in mm) |
|------------|-------------------|------------------------|------------------|-----------------|-----------------|
| FGHR 2530M | Manual & Swinging | 25mm x 30m | 600 | 570-580 | 210 |



| Size | WP | BP |
|---------|--------|--------|
| 1" x 1W | 12 Bar | 42 Bar |



1.5" ANGLE VALVE

- Working pressure 18bar
- Brass Valve

Outer layer is coated by UV inhibitor, colorfast



BRASS NOZZLE

FG-09

| Model No. | Setting | Nozzle diameter | Inlet size | Flow rate at 2 bar / 6 bar (L/Min/Jet/Spray) | Throw range at 2 bar |
|-----------|-----------|-----------------|------------|--|----------------------|
| N-09-2 | Jet/Spray | 8mm | 600 | > 39/68 | > 11.2 |

OPTION Automatic 1" Hose Reel

| Model No. | Type | Hose Diameter & Length | Height (A in mm) | Width (B in mm) | Depth (C in mm) |
|------------|----------------------|------------------------|------------------|-----------------|-----------------|
| FGHR 2530A | Automatic & Swinging | 25mm x 30m | 600 | 610-680 | 230 |

OPTION VALVES



Gate Valve



Lock Shield Valve



Ball Valve

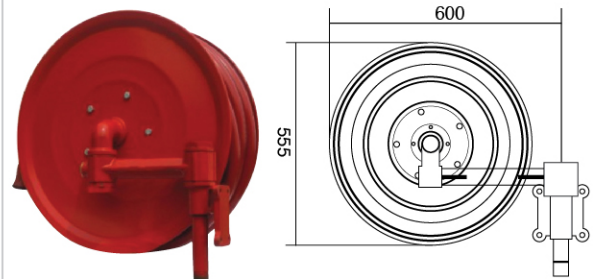
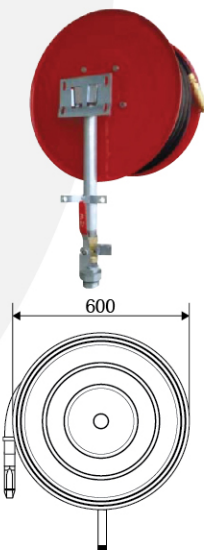


1" PRV

OPTIONAL MODELS WITH DIFFERENT BRACKETS AVAILABLE

Model FGHR 2530MS
1" x 30m Manual Fixed pipe Hose reel

Model FGHR 2530MP
1" x 30m Manual swinging pipe Hose reel





FIRE FIGHTING HOSE

UL, FM Approved
250PSI

Construction -polyester filaments in warp and in weft direction with a smooth EPDM lining for low friction loss.

Standard Colour: White (OPTION Red)

Technical Data:

| Model | Size | Work Pressure | Burst Pressure |
|---------------------------|------|---------------|----------------|
| FGH25-250 - Single Jacket | 2.5" | 250 Psi | 750 Psi |

Standard Lengths: 30m

BS336 Coupling in Aluminum (OPTION Brass)



OPTION

| MODEL | TYPE | SIZE | WORK PRESSURE-PSI | BURST PRESSURE-PSI | APPROVAL |
|--------|---------------|--------|-------------------|--------------------|----------|
| FGH300 | DOUBLE JACKET | 2 1/2" | 300 | 900 | UL |

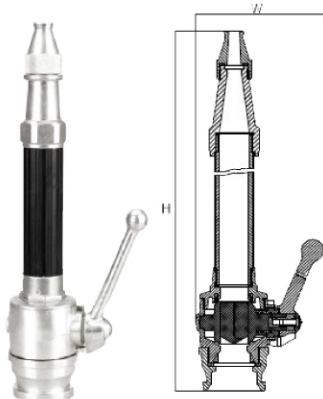
JET/SPRAY BRANCHPIPE WITH WATER CURTAIN

FG07-131C-00 - Aluminum body & pipe - Spray/Jet



Flow Control : Jet and Spray
 Working Pressure : 16 Bar
 Test Pressure : 34 Bar
 Inlet Connection : BS336

JET/SPRAY BRANCHPIPE



FG07-131C-00

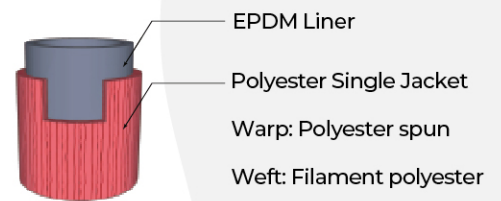
Jet/Spray Branchpipe

| Size | H(mm) | W(mm) | Inlet | Outlet |
|------|-------|-------|---------|--------|
| DN50 | 405 | 165 | G 2" | 9mm |
| CMM | 440 | 165 | Storz-C | 9mm |
| DN65 | 440 | 165 | BS336 | 12.5mm |

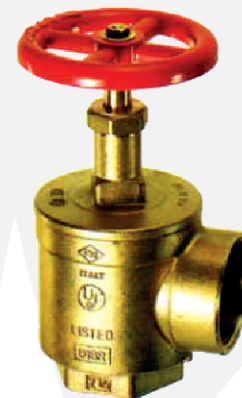
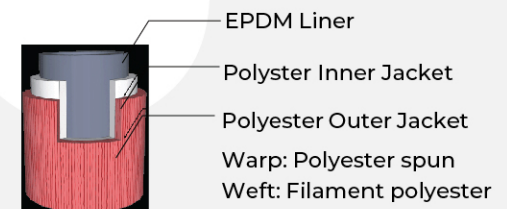


MODEL: FGH 25-250

Single Jacket Hose



OPTION Double Jacket Hose



ANGLE HOSE VALVE

- UL, FM approved
- 300psi
- Double Female
- NPT Inlet
- Brass Valve

